



**BOSCH**  
Invented for life

December 10, 2009

Robert Bosch LLC  
[www.boschdiagnostics.com](http://www.boschdiagnostics.com)

RE: The 02002888 CDR cable is difficult to remove from the ACM

Dear CDR Users,

CDR cables with the part number 02002888 purchased prior to December 2009 may be equipped with a latch mechanism on the ACM connector end of the cable (see figure 1 below for illustration). This latch mechanism may make it difficult to remove the connector from the ACM following EDR imaging.

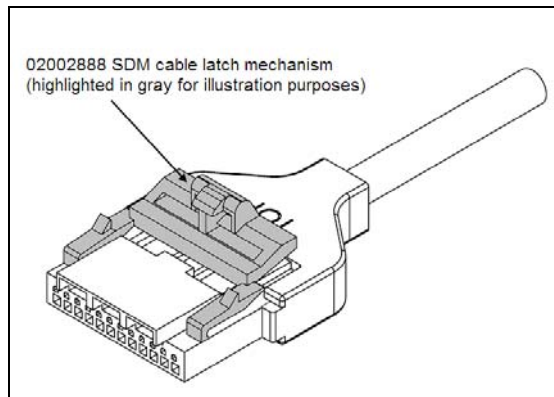
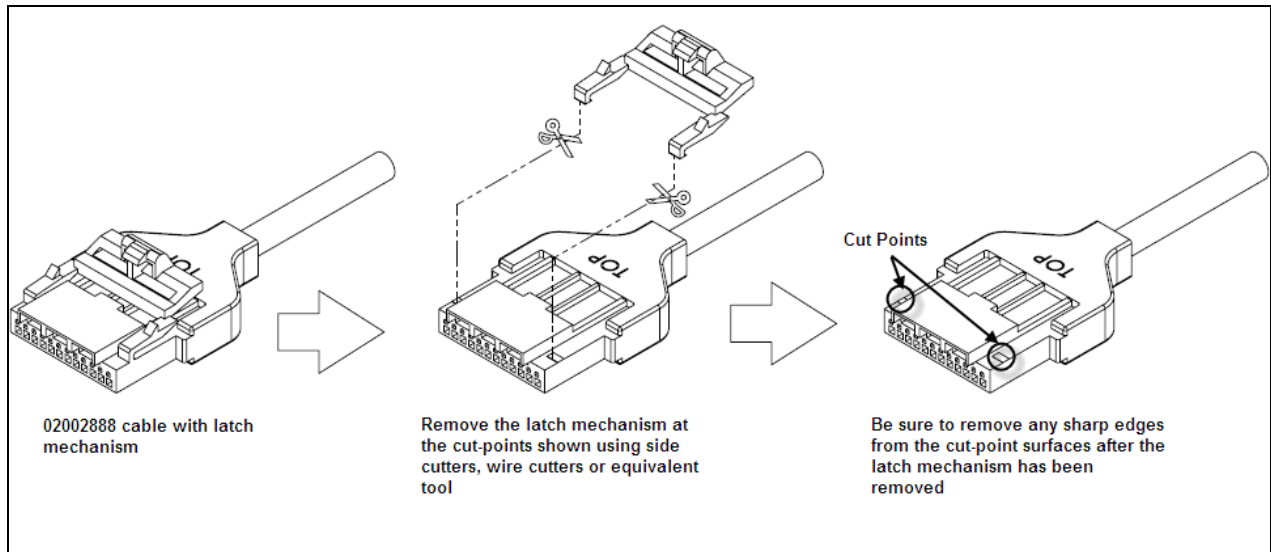


Figure 1: Latch mechanism

To solve this issue, the latch mechanism on the ACM connector end of the 02002888 CDR cable should be removed in order to avoid potential difficulty removing it from the ACM. Starting December 2009, all 02002888 CDR cables from Bosch will come with the latch mechanism removed from the connector. If your cable still has a latch mechanism affixed to the ACM connector end as shown in Figure 1, follow the instructions below shown in Figure 2 to remove the latch mechanism. Dispose of the latch mechanism once it has been removed from the connector.



We hope this change will help you to avoid any difficulty you would otherwise encounter using the 02002888 CDR cable.

Yours sincerely,

Bosch Diagnostics, CDR Product Team